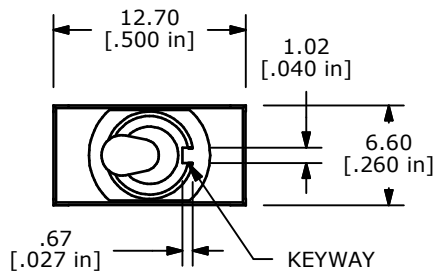
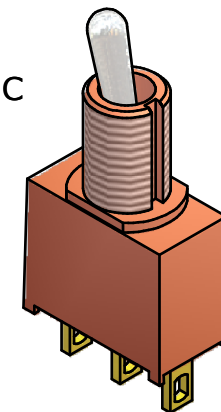


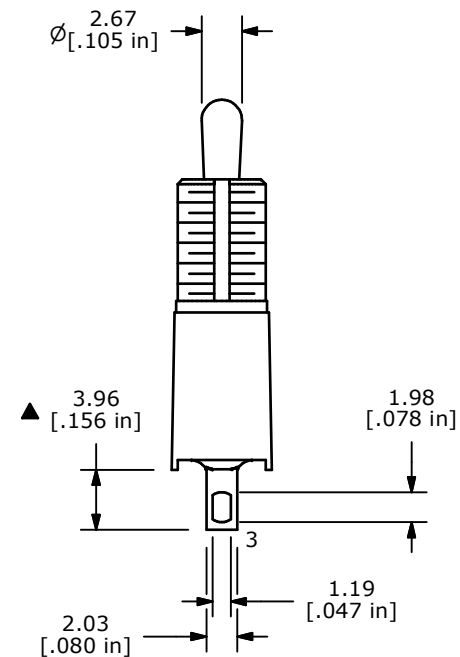
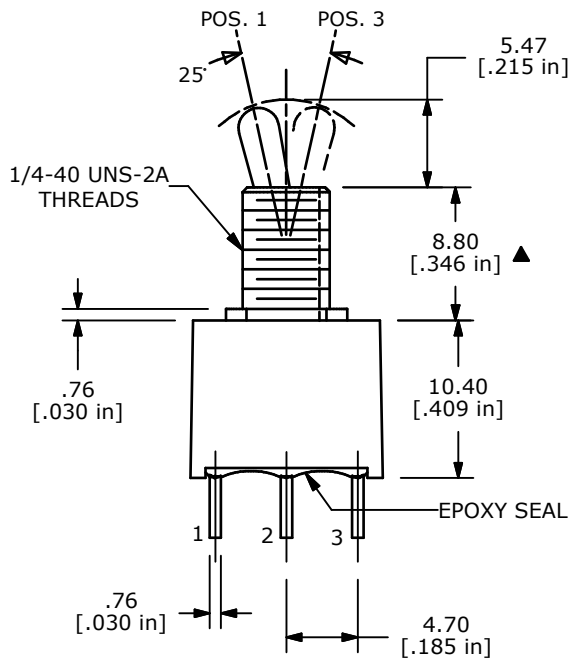
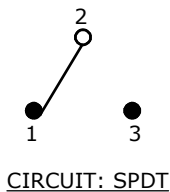
PANEL MOUNTING



ISOMETRIC



| SWITCH FUNCTION | | |
|-----------------|--------|--------|
| POS. 1 | POS. 2 | POS. 3 |
| | | |
| ON | NONE | ON |
| 2-3 | N/A | 2-1 |



- NOTE:
1. ALL DIMENSIONS IN MM [INCH]
 2. GENERAL TOLERANCE: X.X=±0.4
X.XX=±0.25
 3. TERMINAL NUMBERS FOR REF ONLY
 - ▲ 4. PLATING MATERIAL: GOLD
 5. RATING: 0.4 AMPS @ 20 V (AC or DC)
 6. CONTACT RESISTANCE: 10 Milli-OHMS MAX.
 7. LIFE EXPECTANCY: 30,000 MAKE-AND-BREAK CYCLES AT FULL LOAD.
 8. INSULATION RESISTANCE: 1,000 MEGA-OHM MIN.
 9. DIELECTRIC STRENGTH: 1,000 V RMS @SEA LEVEL.
 10. OPERATING TEMP.: -30°C to 85°C
 11. ▲ DENOTES CRITICAL PARAMETER.



TITLE 100AWSP1T2B1M1RE

| | | | | |
|-----|--------|-------------------------|---------|-----|
| A | 18711 | Released For Production | 12/8/09 | BLR |
| REV | PCR NO | DESCRIPTION | DATE | BY |

| | | | | |
|-------|-----------|----|---------|-----|
| SCALE | DATE | DR | DWG | REV |
| 2:1 | 12/8/2009 | CB | T101040 | A |

THE INFORMATION CONTAINED IN THIS DOCUMENT IS PROPRIETARY TO E-SWITCH AND IS NOT TO BE COPIED OR TRANSFERRED